

Fig. 1 Steering control system

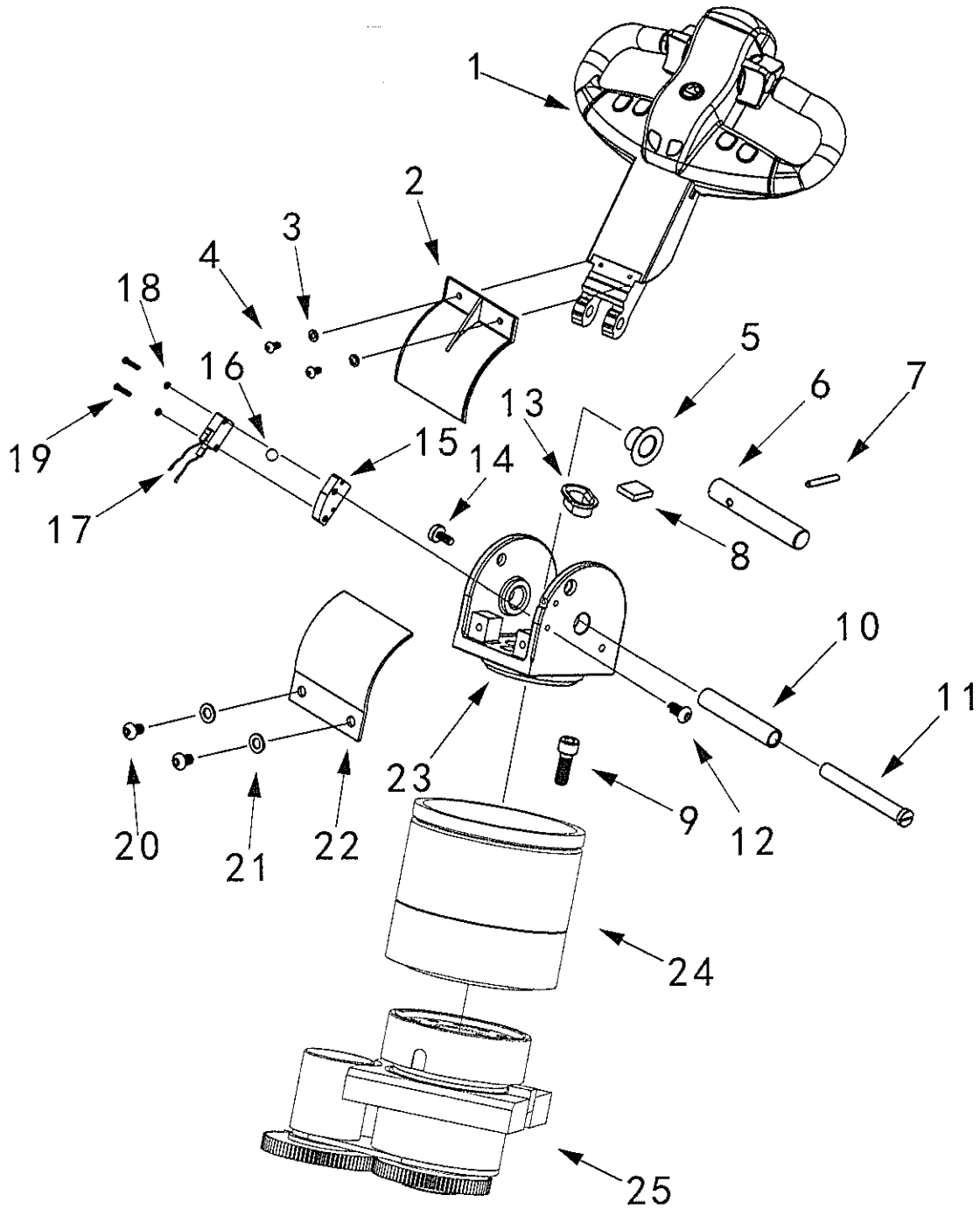


Fig. 2 Handle assembly

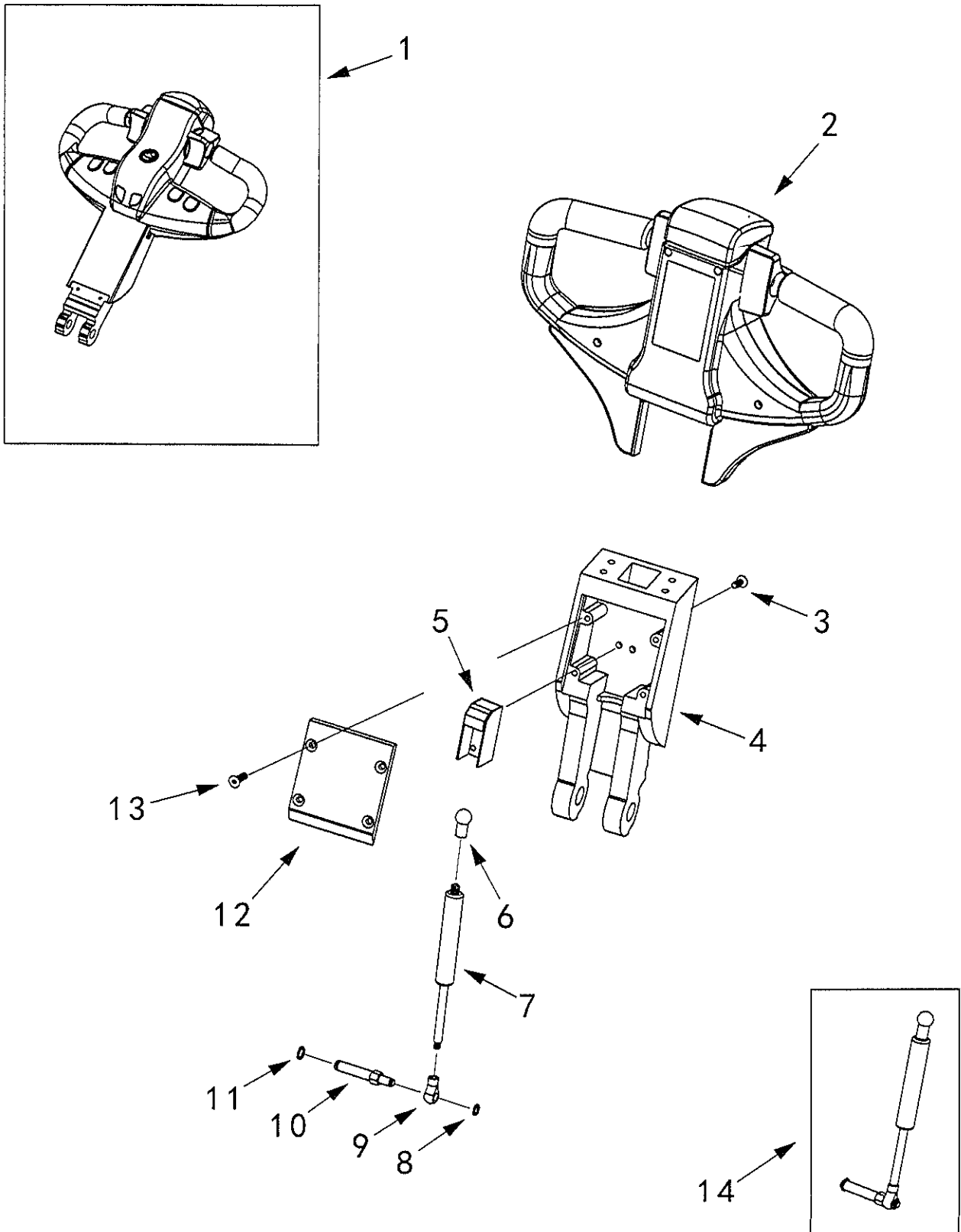


Fig. 3 Switch box assembly

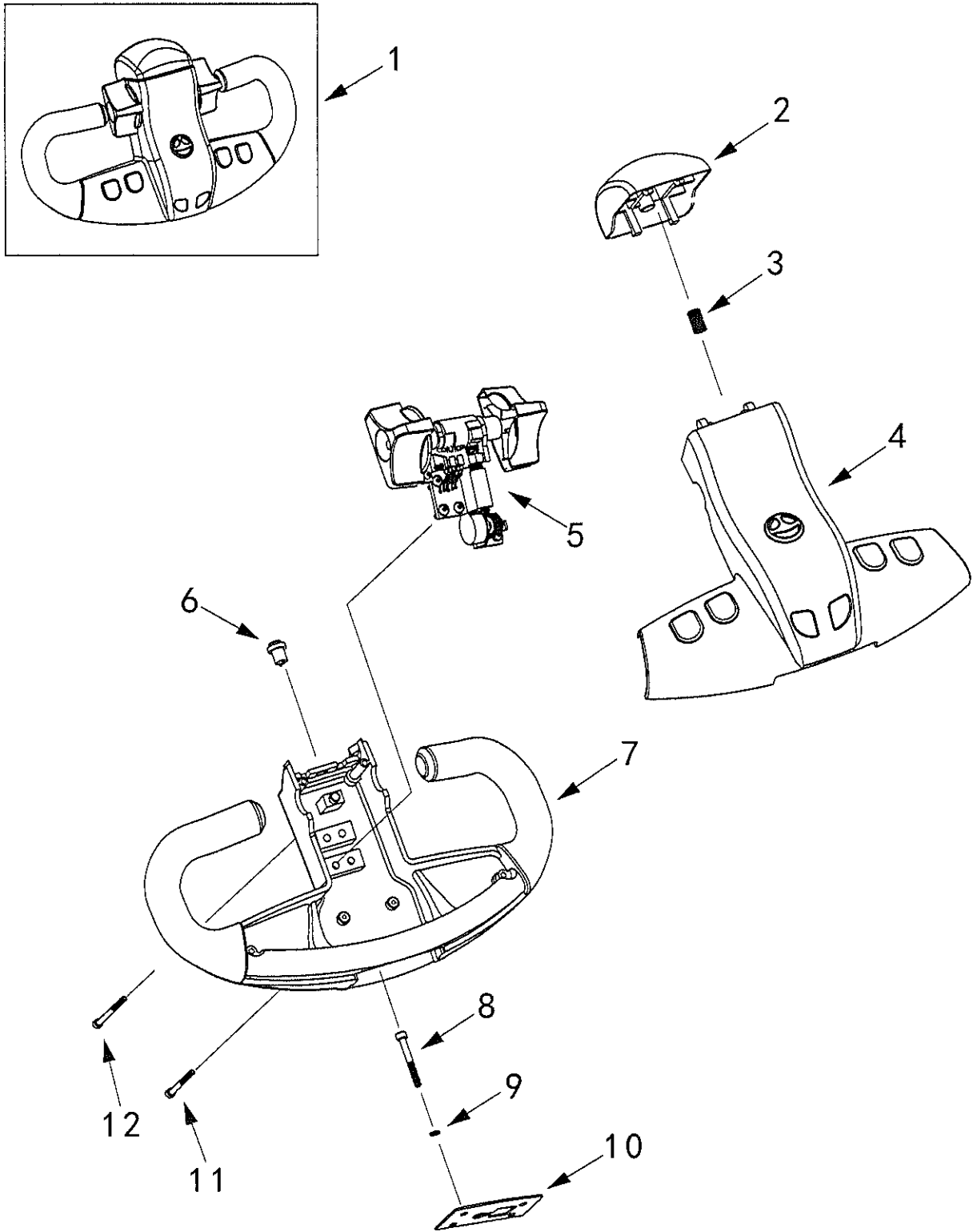


Fig. 4 Stepped switch assembly

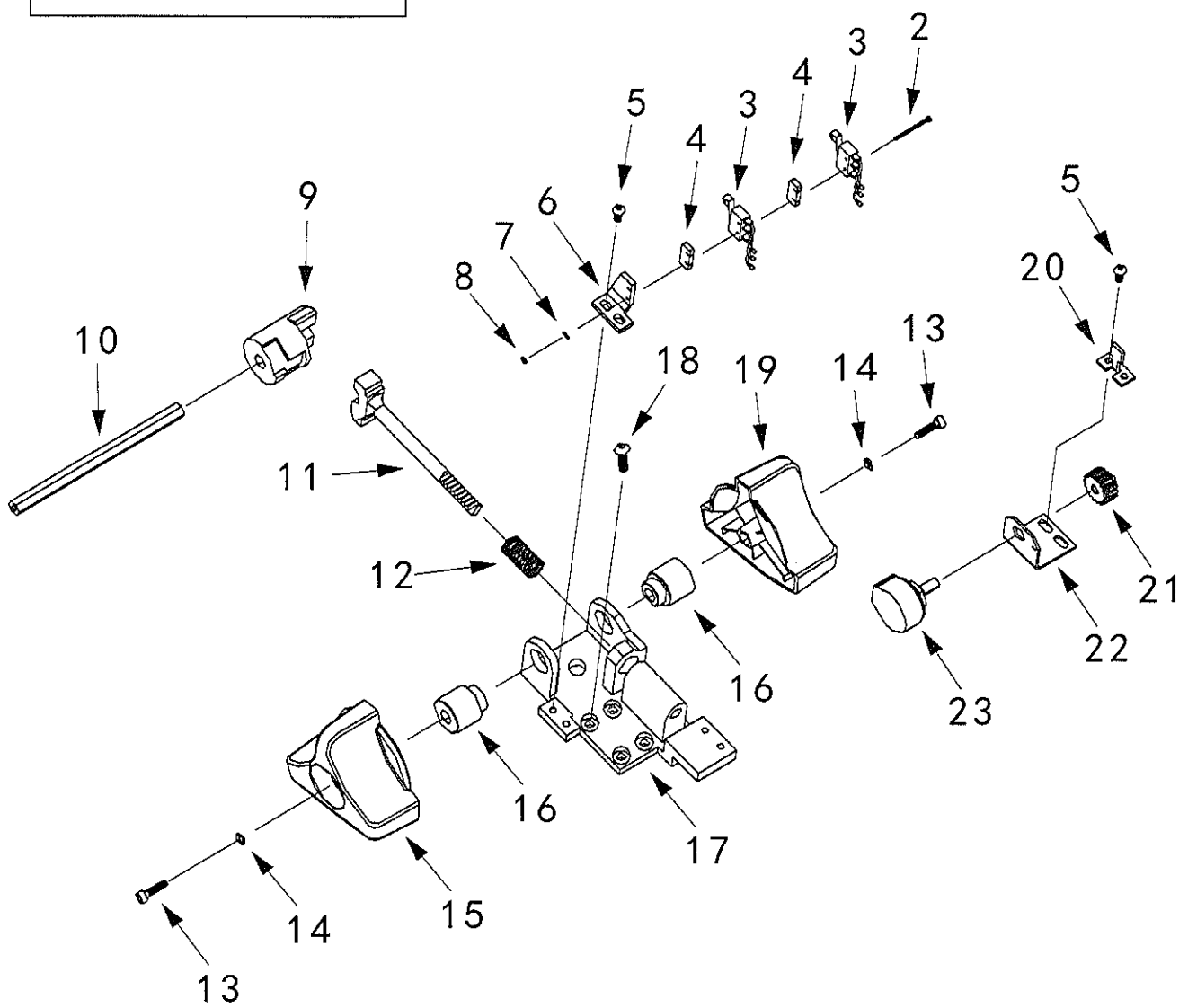
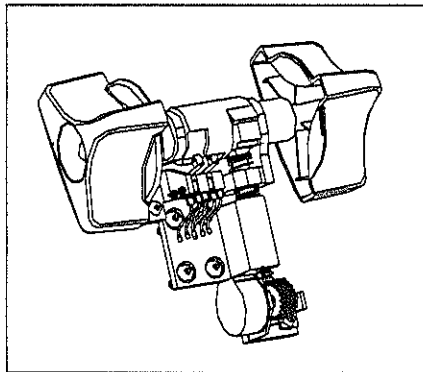


Fig. 6 Gear box assembly

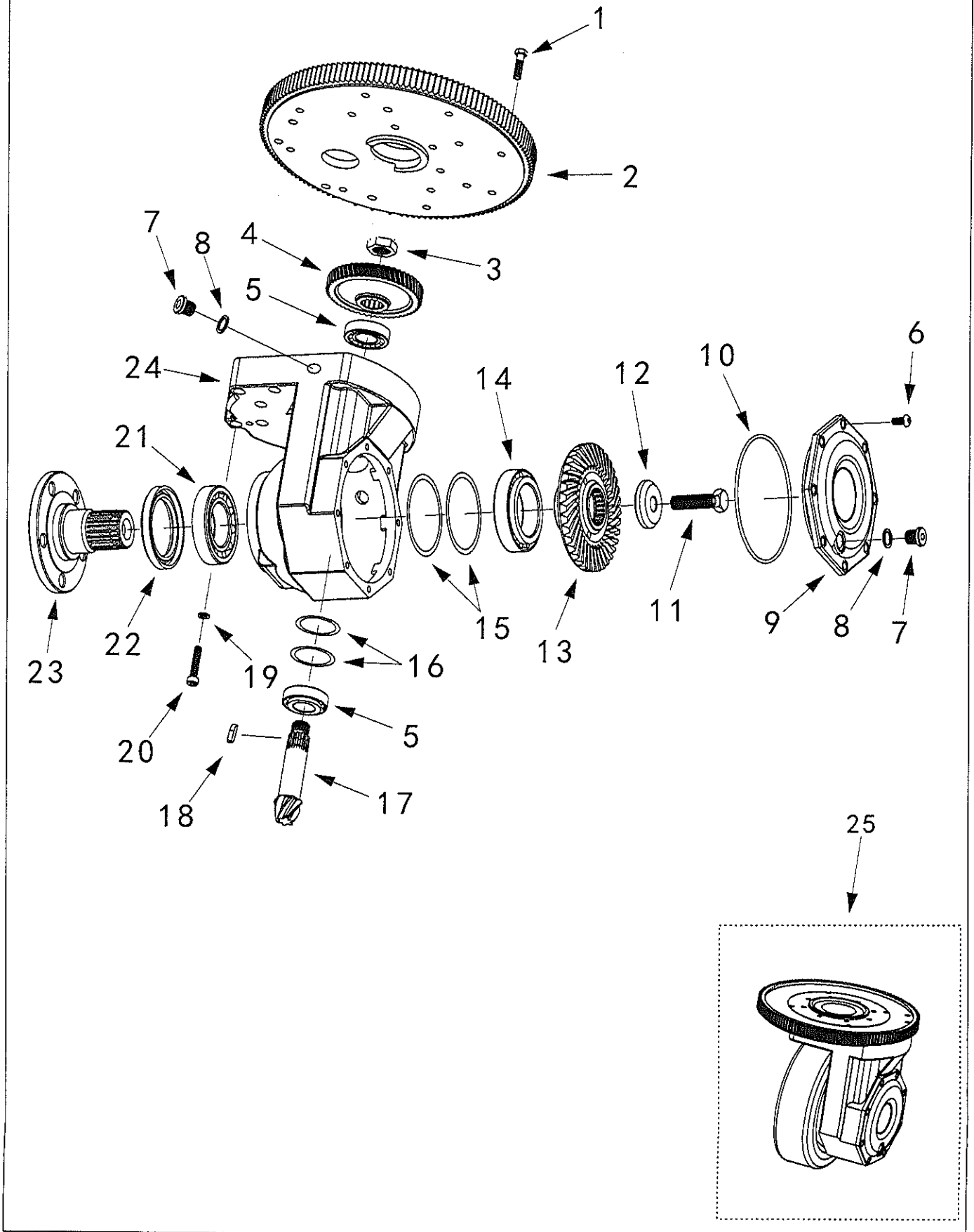
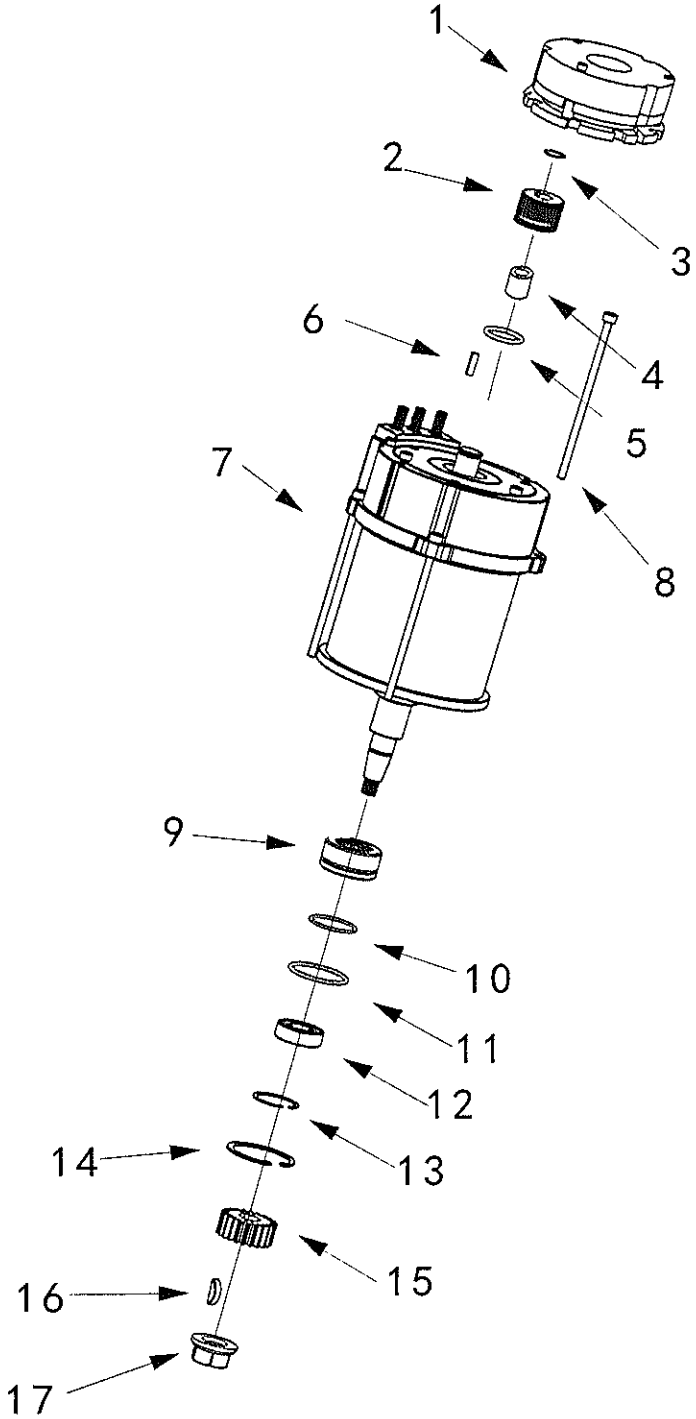


Fig. 7 Driving system



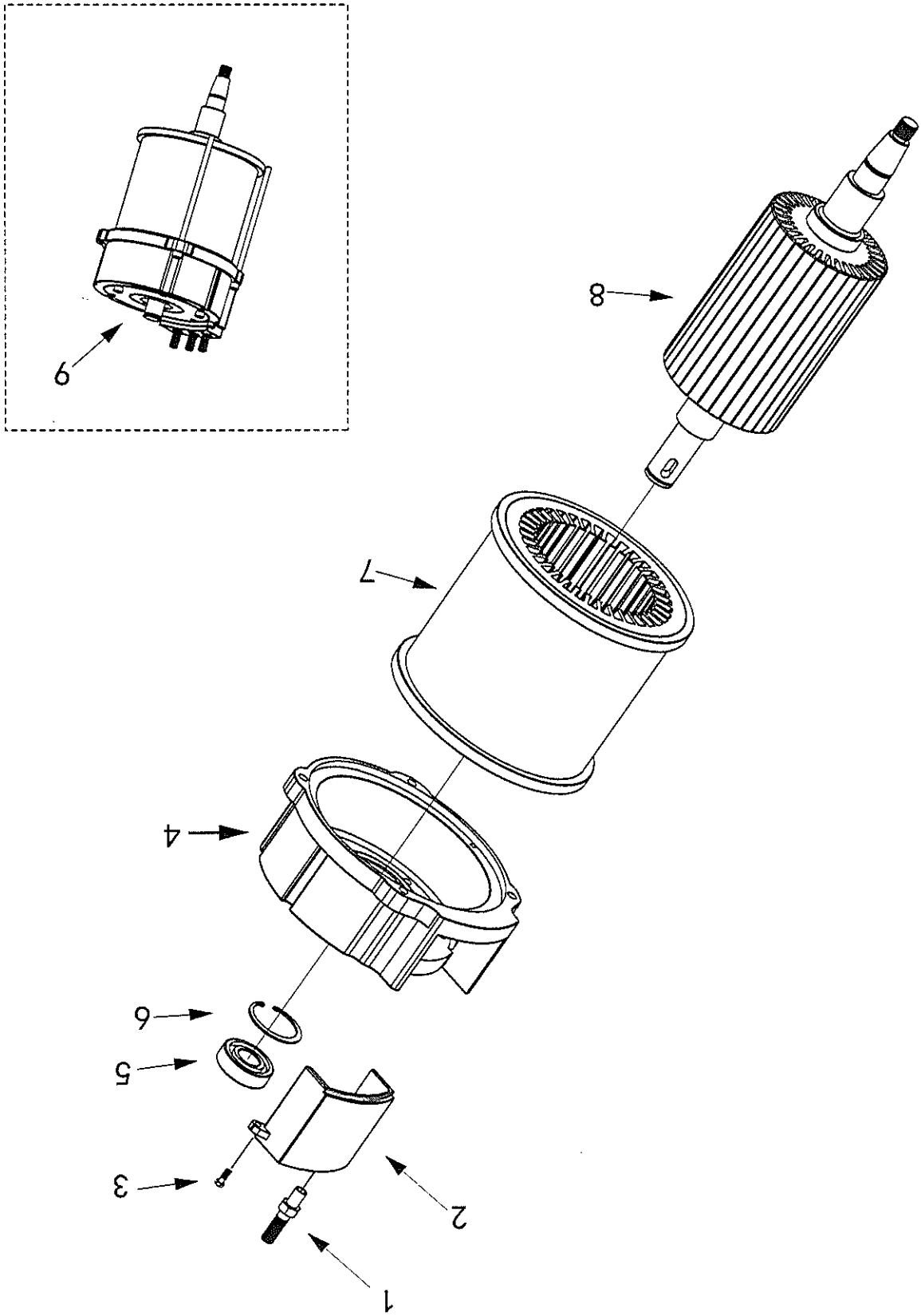


Fig. 8 Drive motor

Fig. 9 Hydraulic system

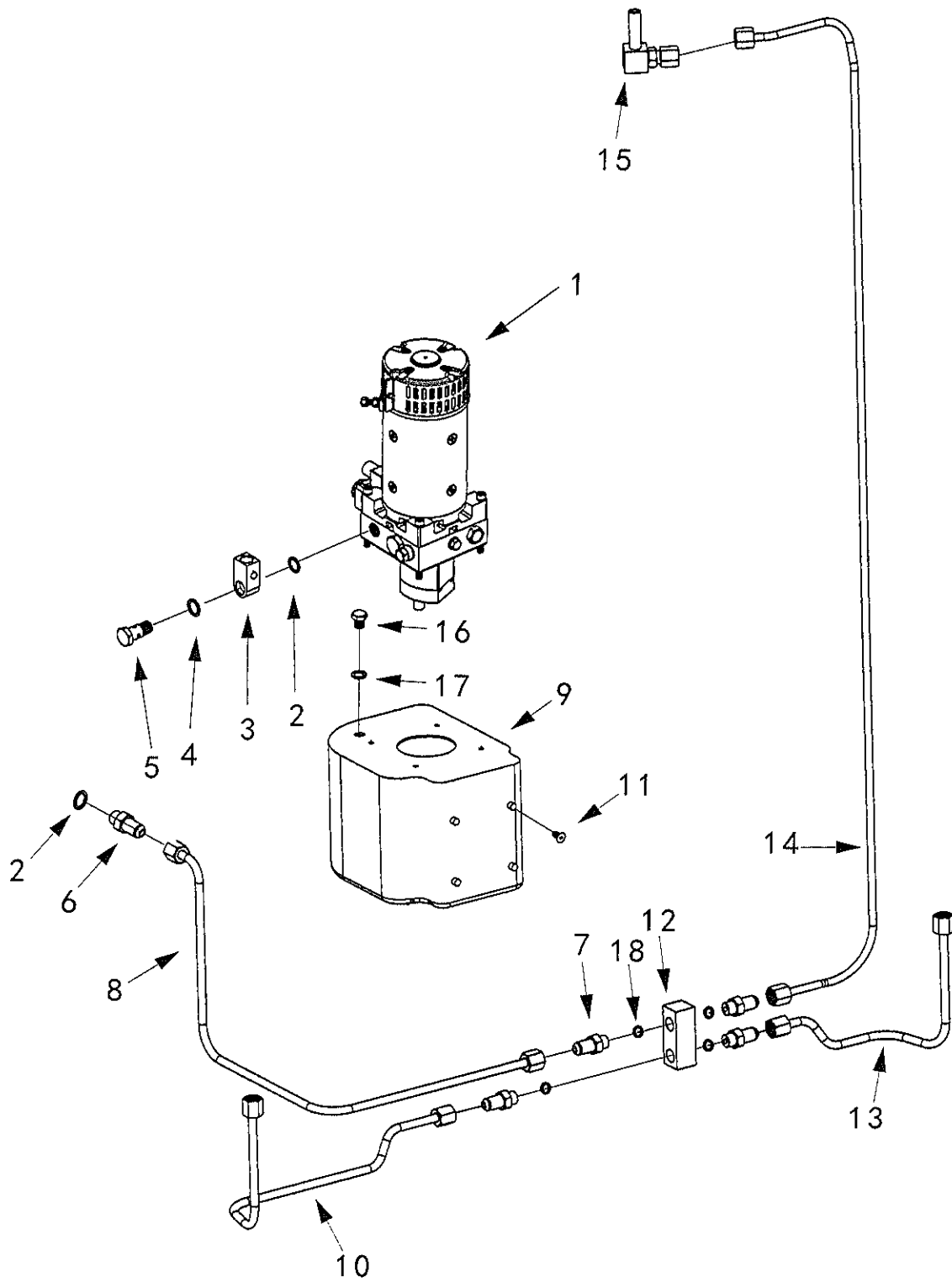




Fig. 10 Hydraulic system

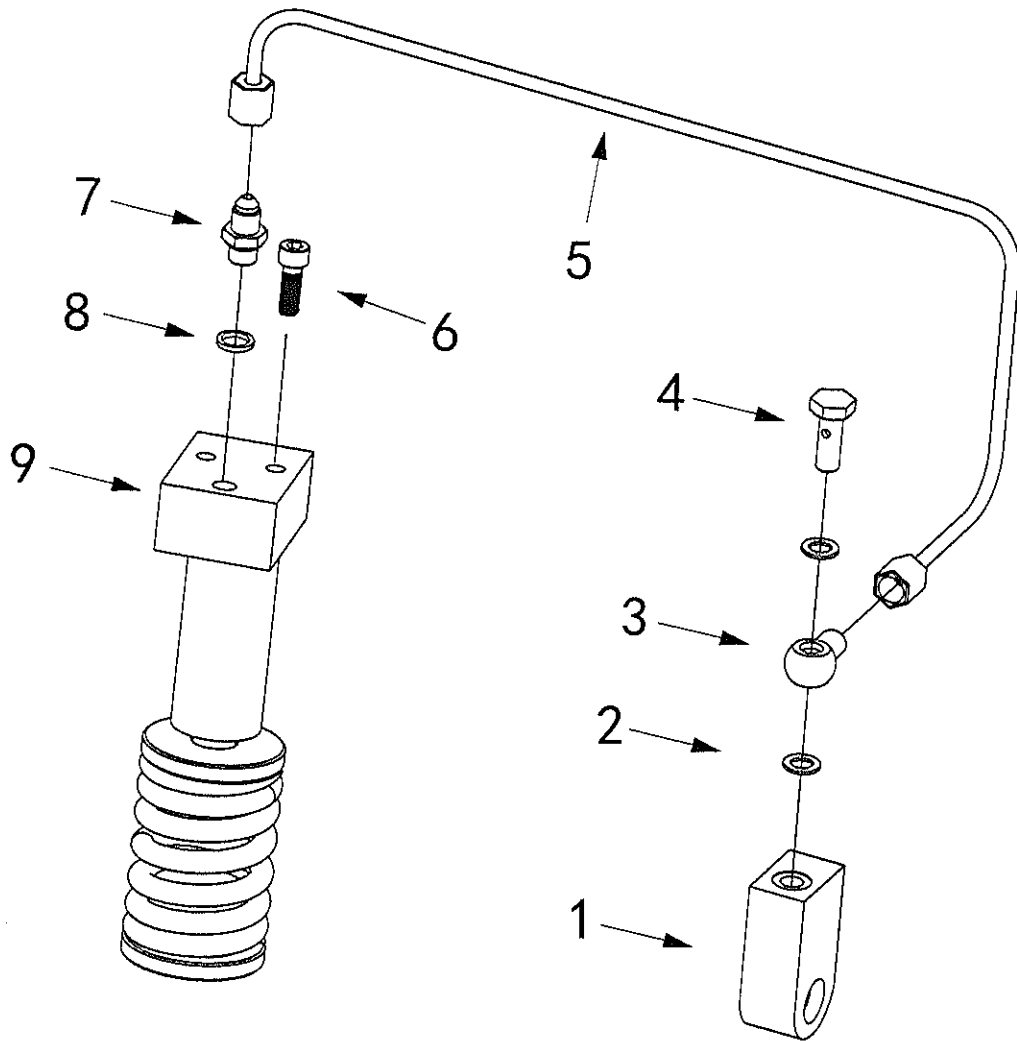


Fig. 11 Hydraulic power unit

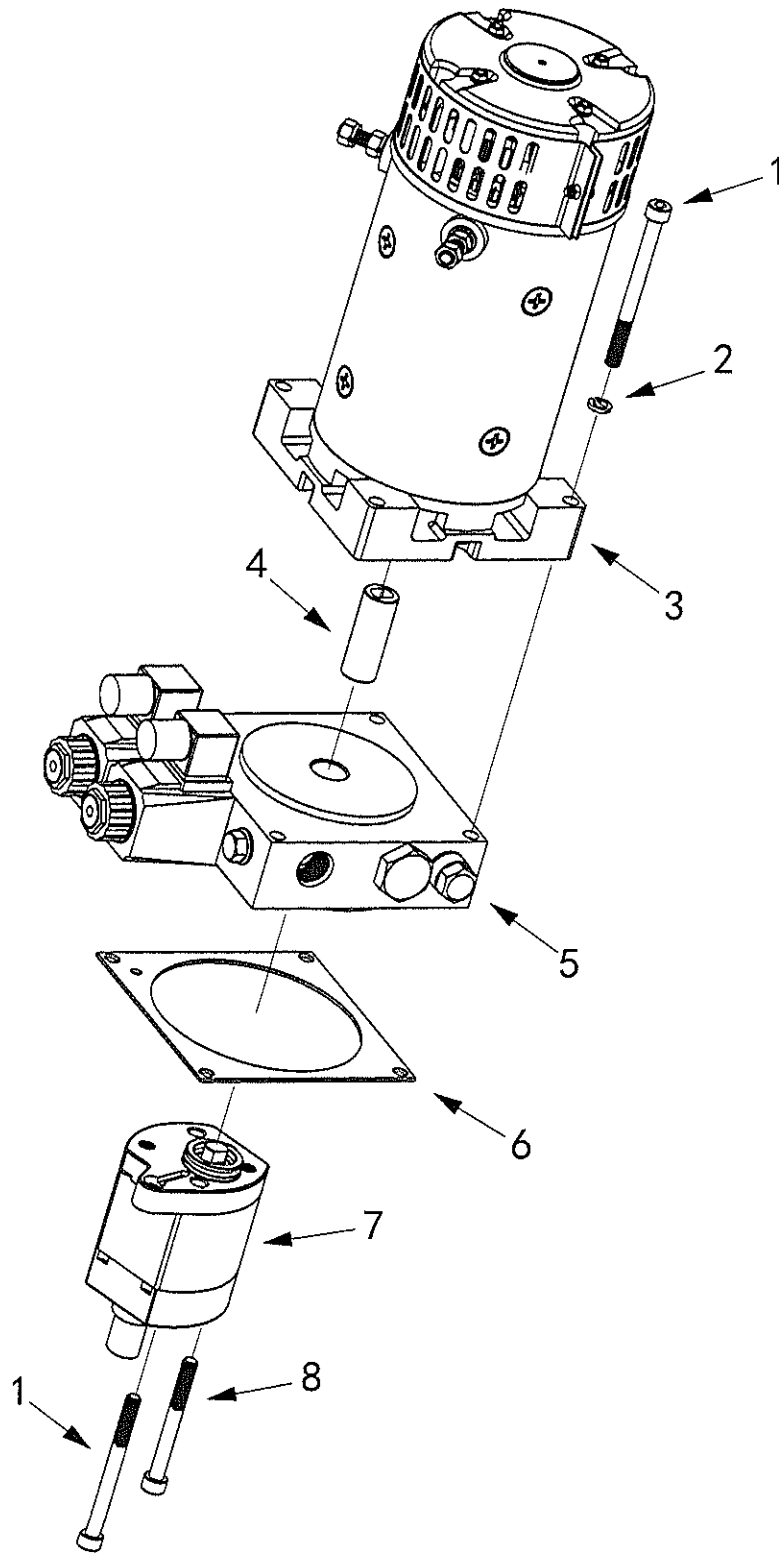


Fig. 12 Valve assembly

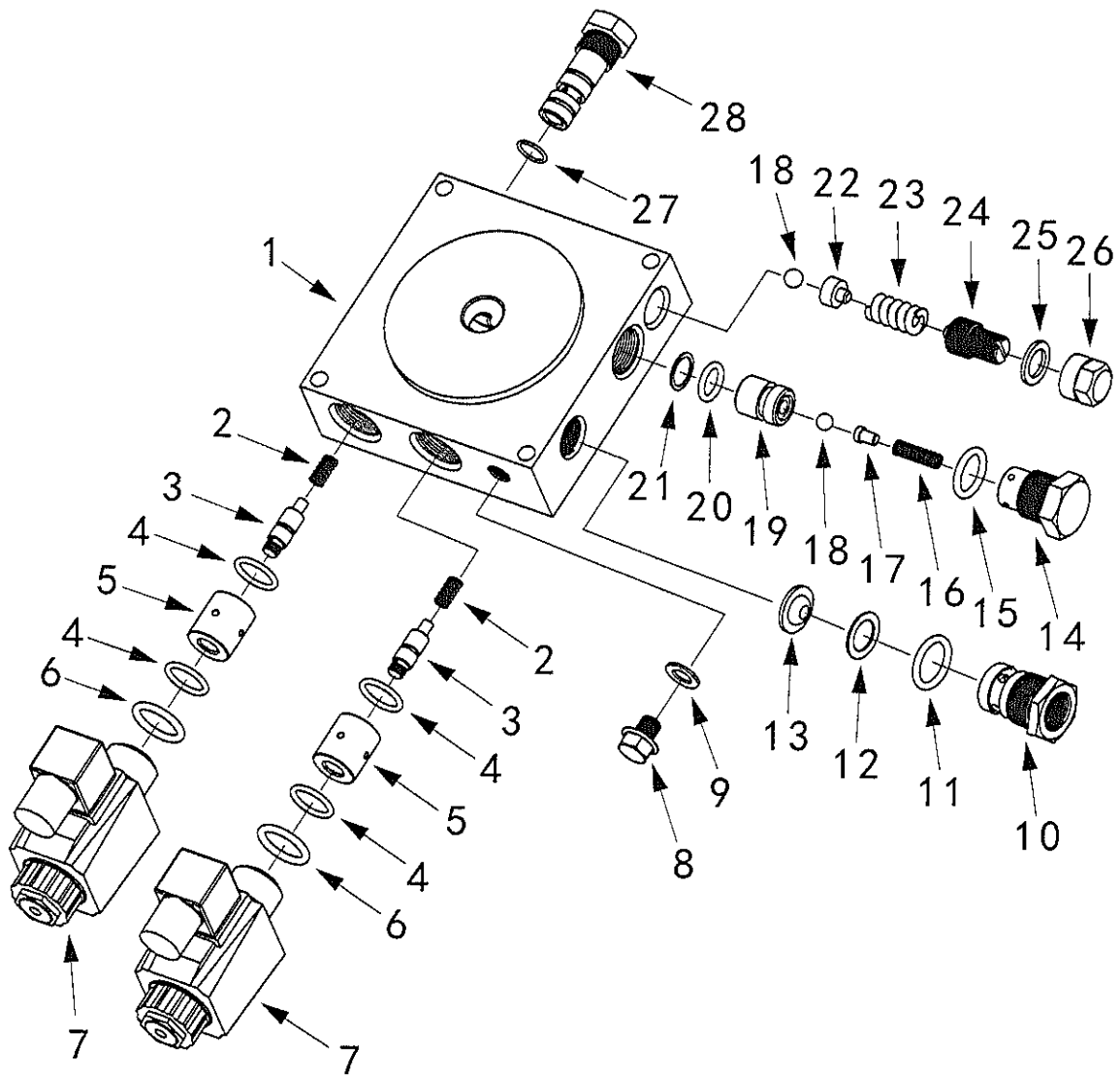


Fig. 13 Oil pump

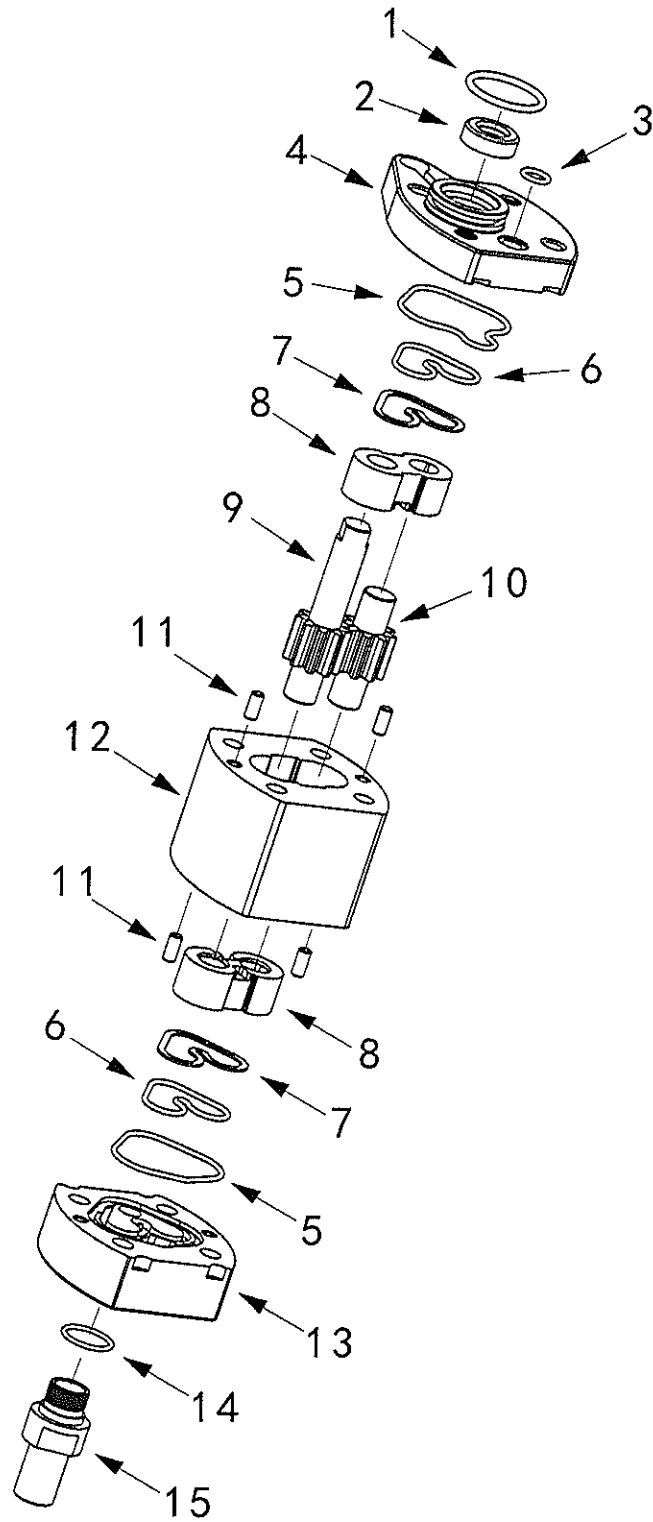


Fig. 14 Frame

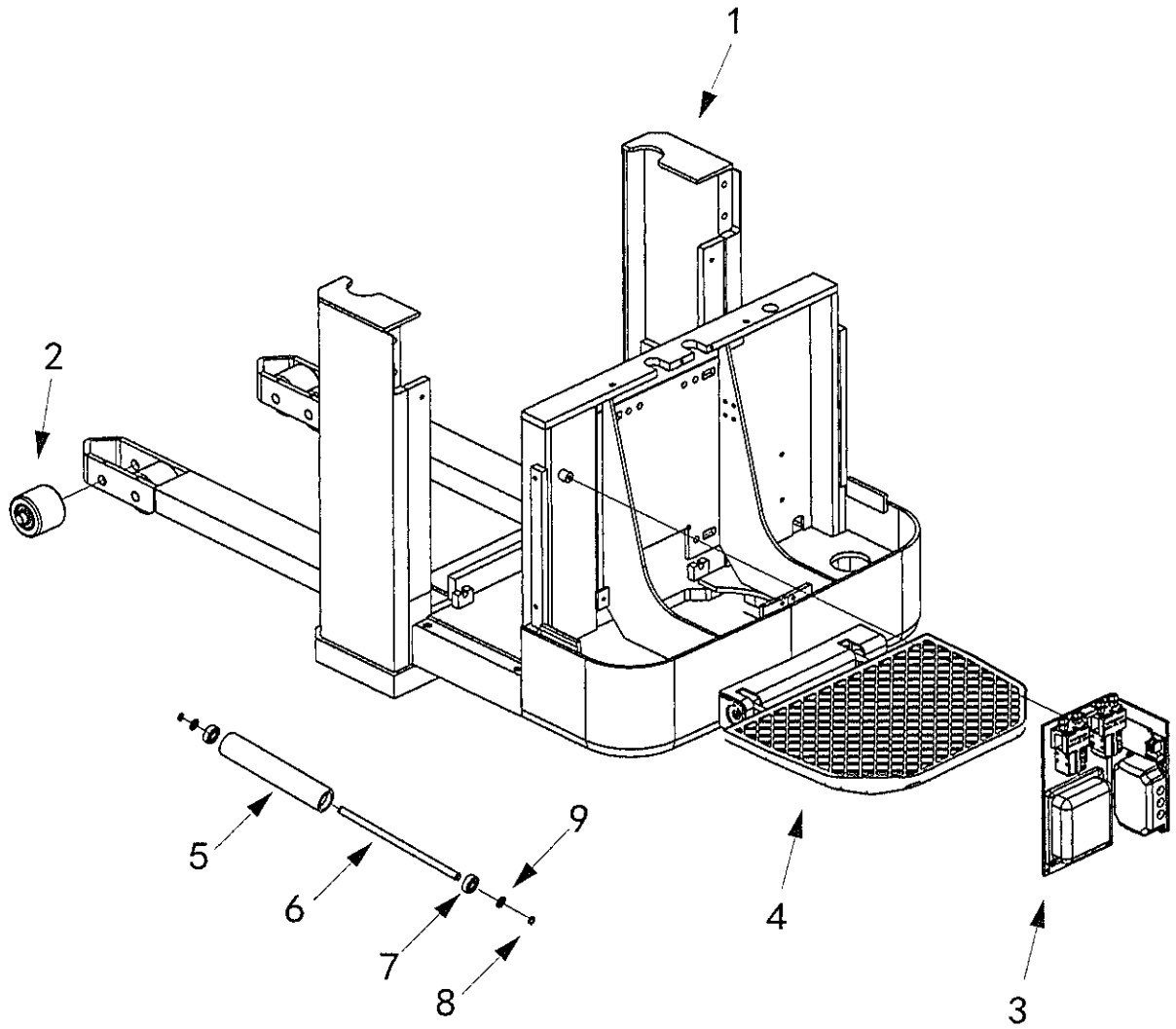


Fig. 15 Front wheel assembly

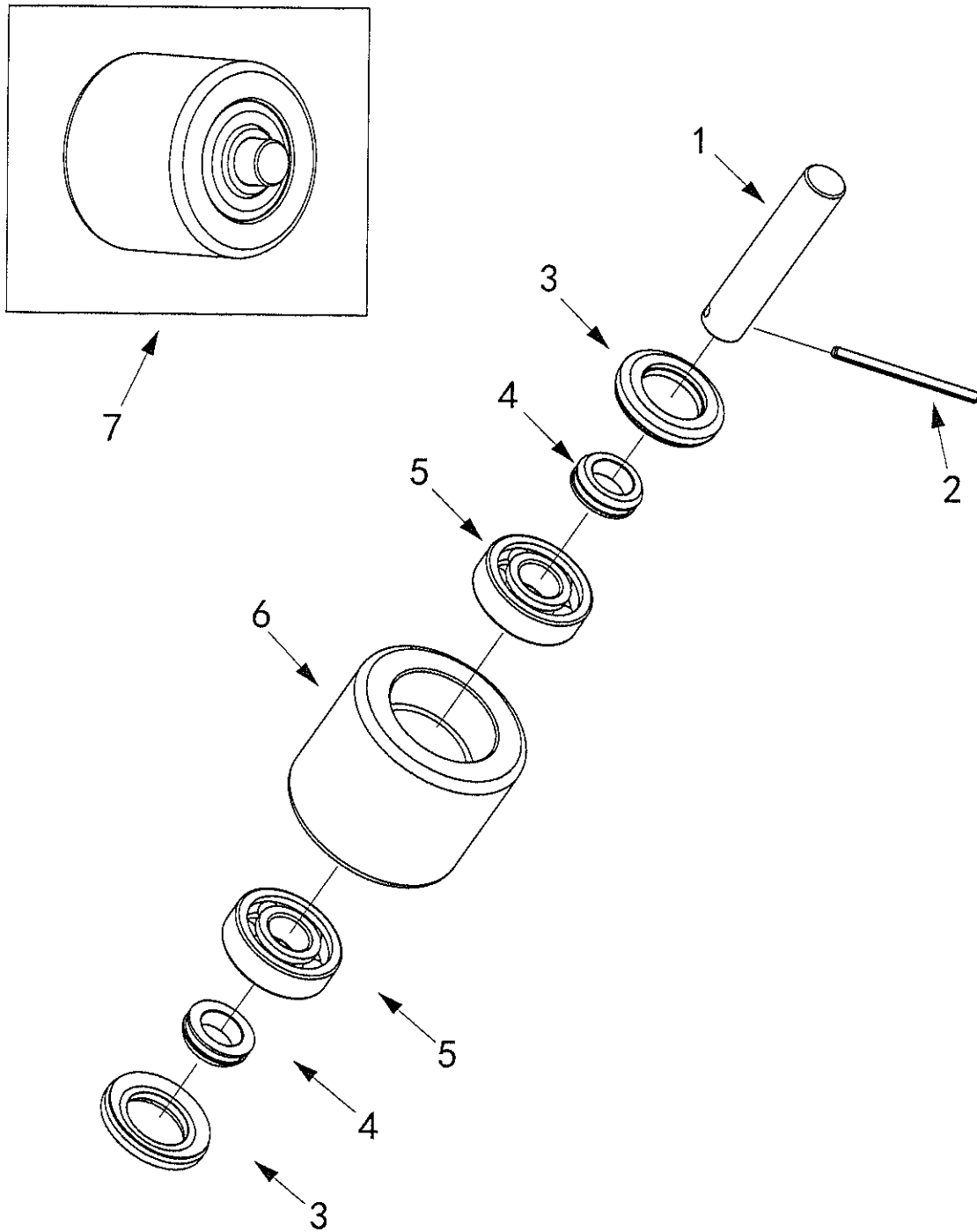
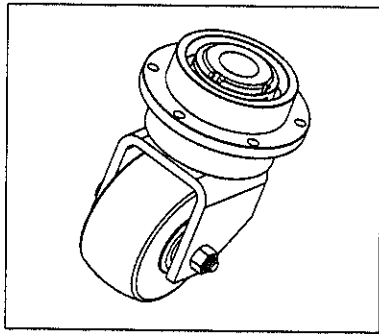


Fig. 16 Balance wheel assembly



15

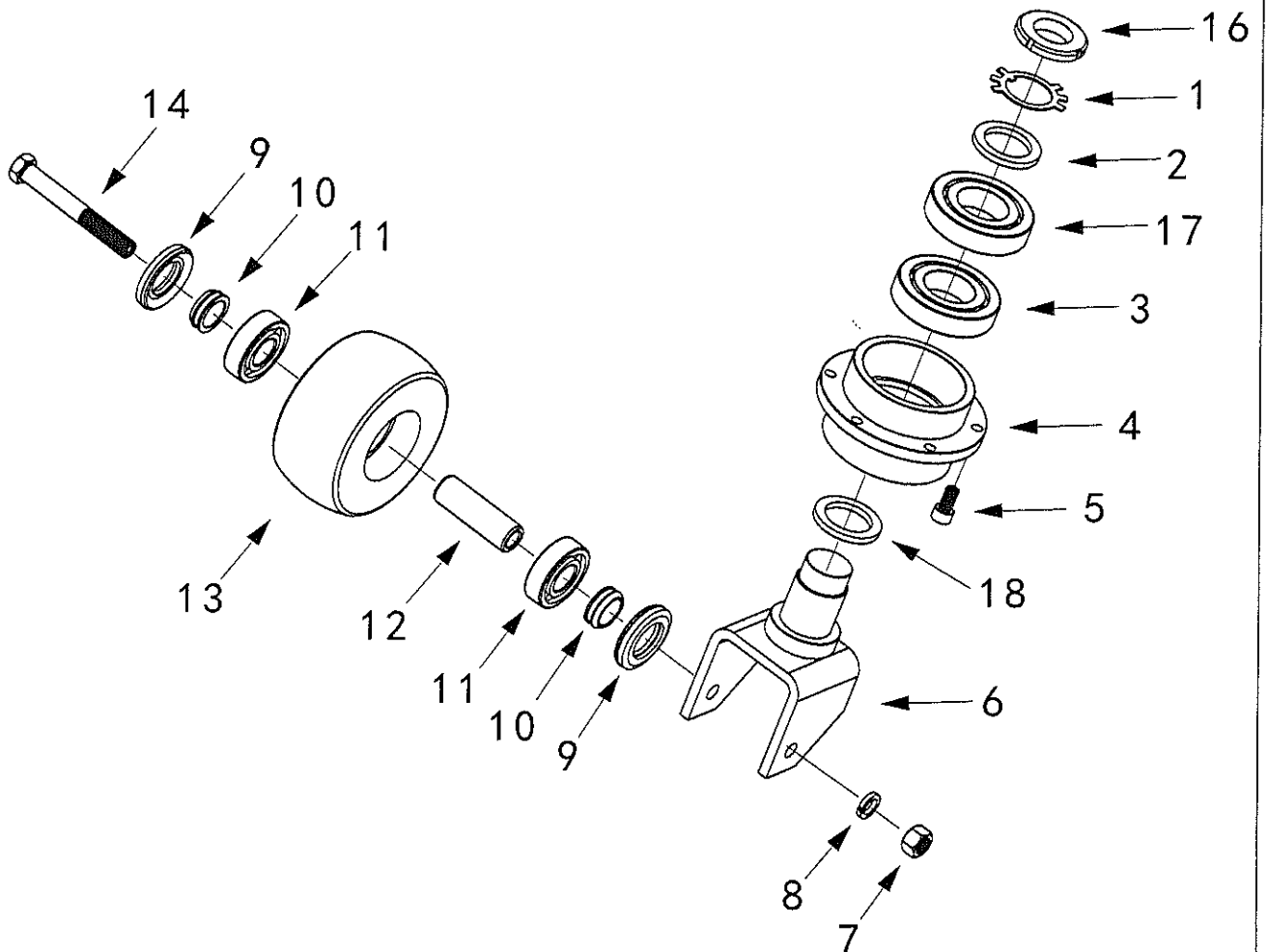


Fig. 17 Electric panel assembly

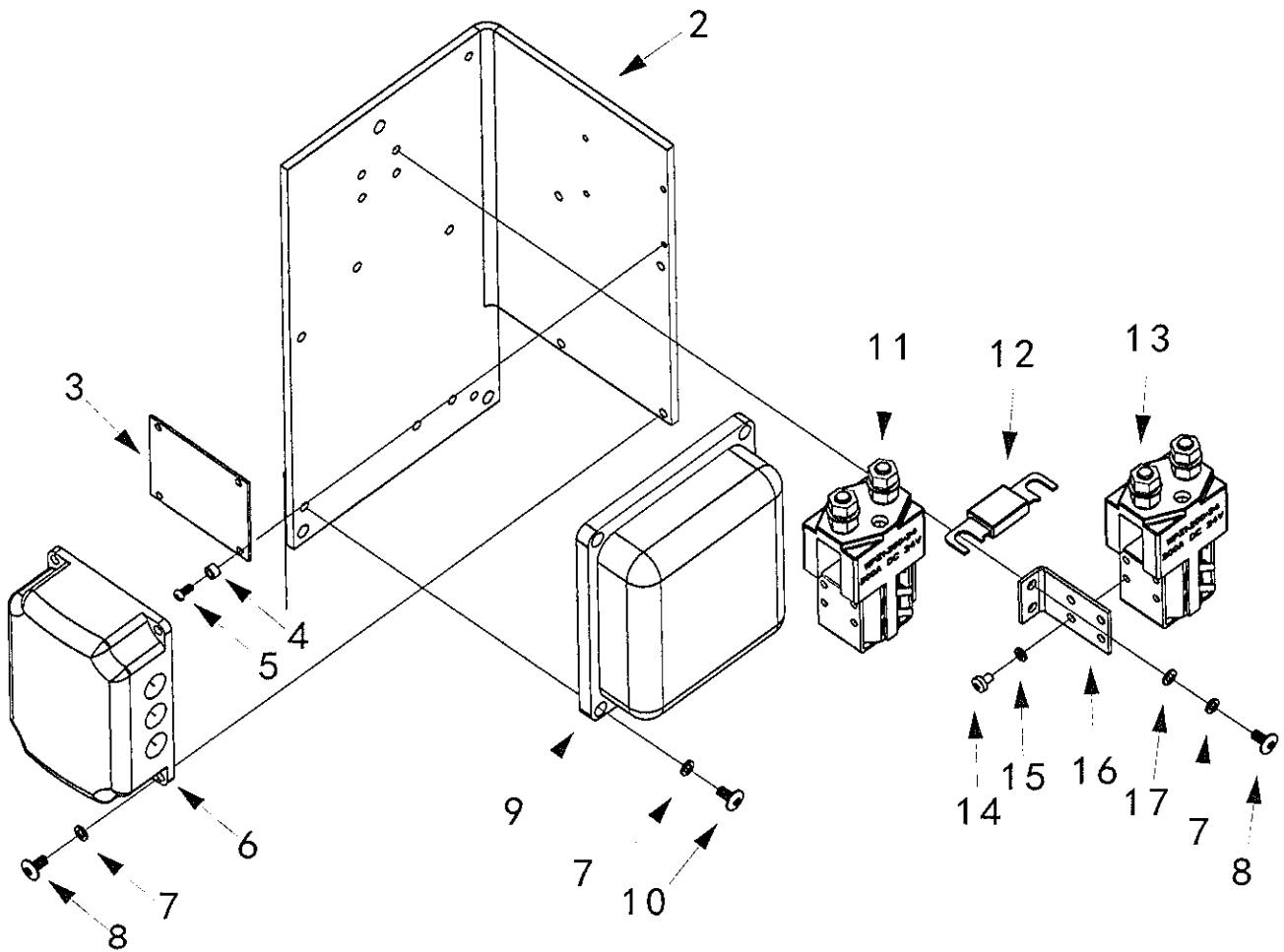
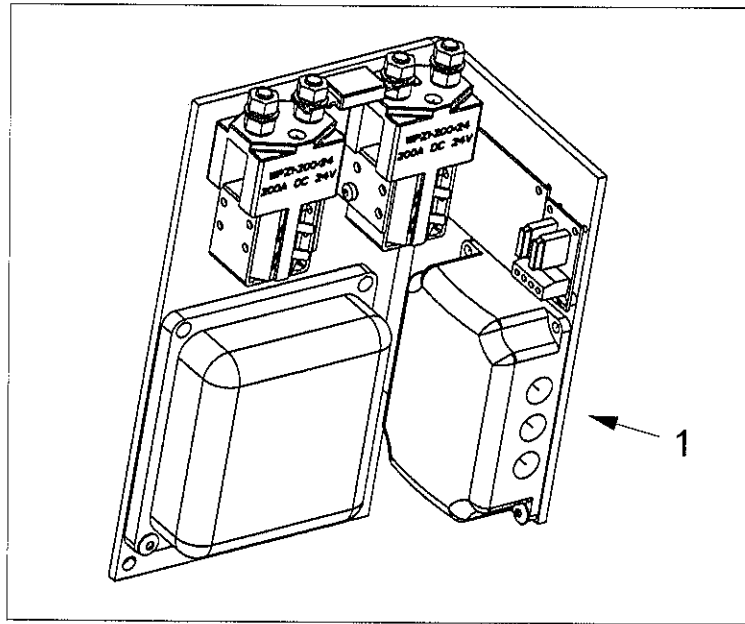




Fig. 18 Footboard assembly

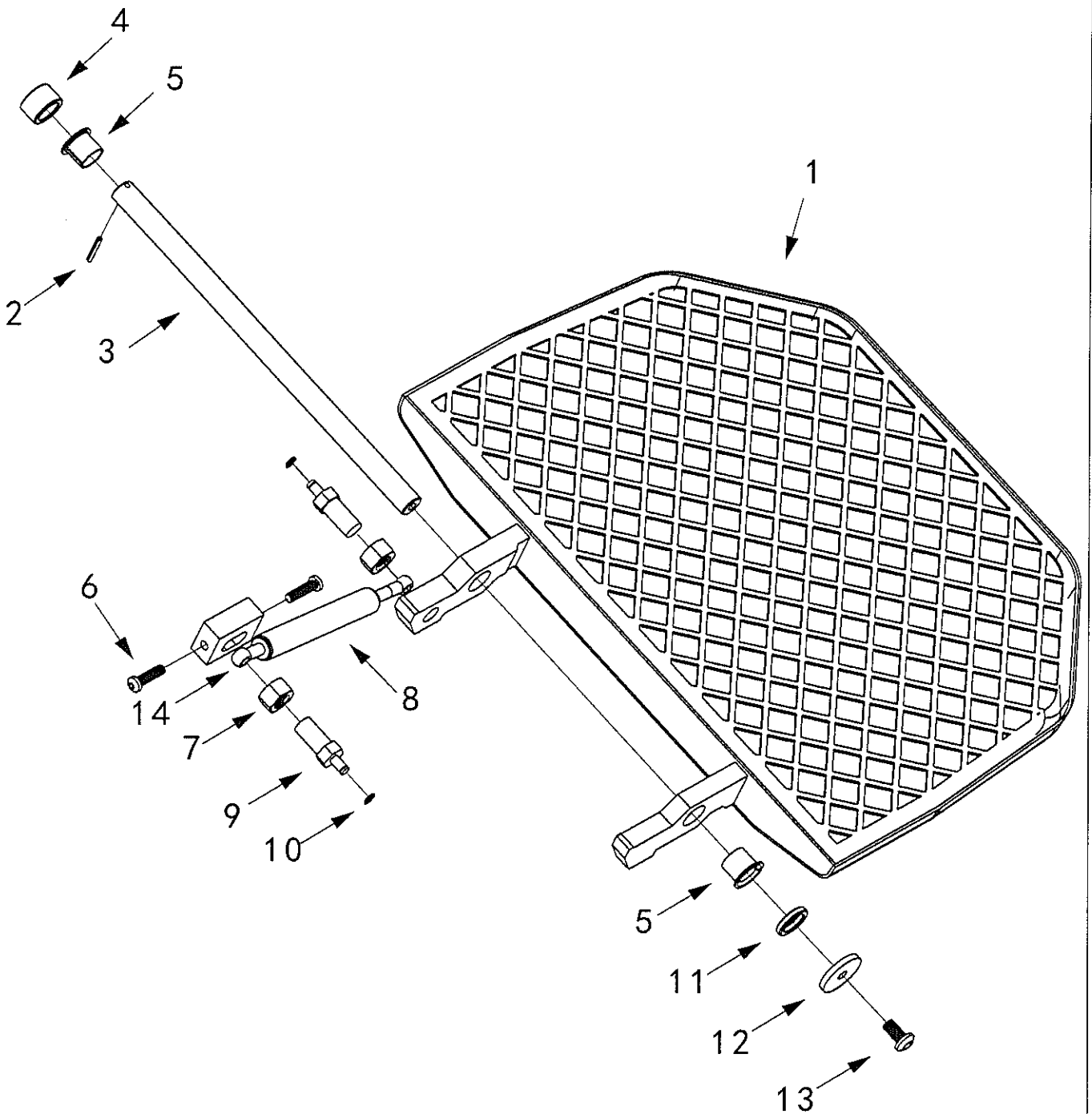


Fig. 19 Mast assy-outer

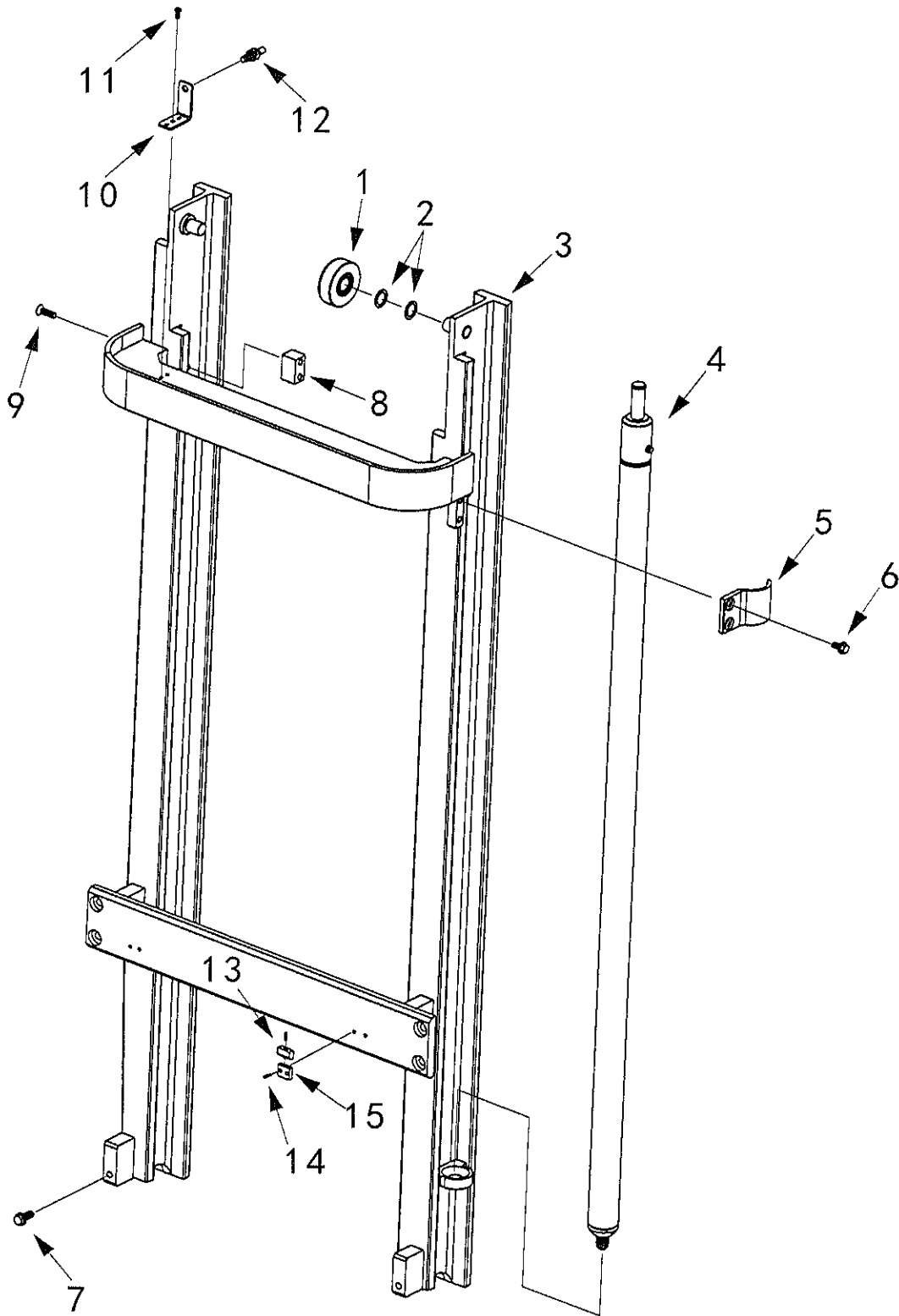


Fig. 20 Cylinder assembly

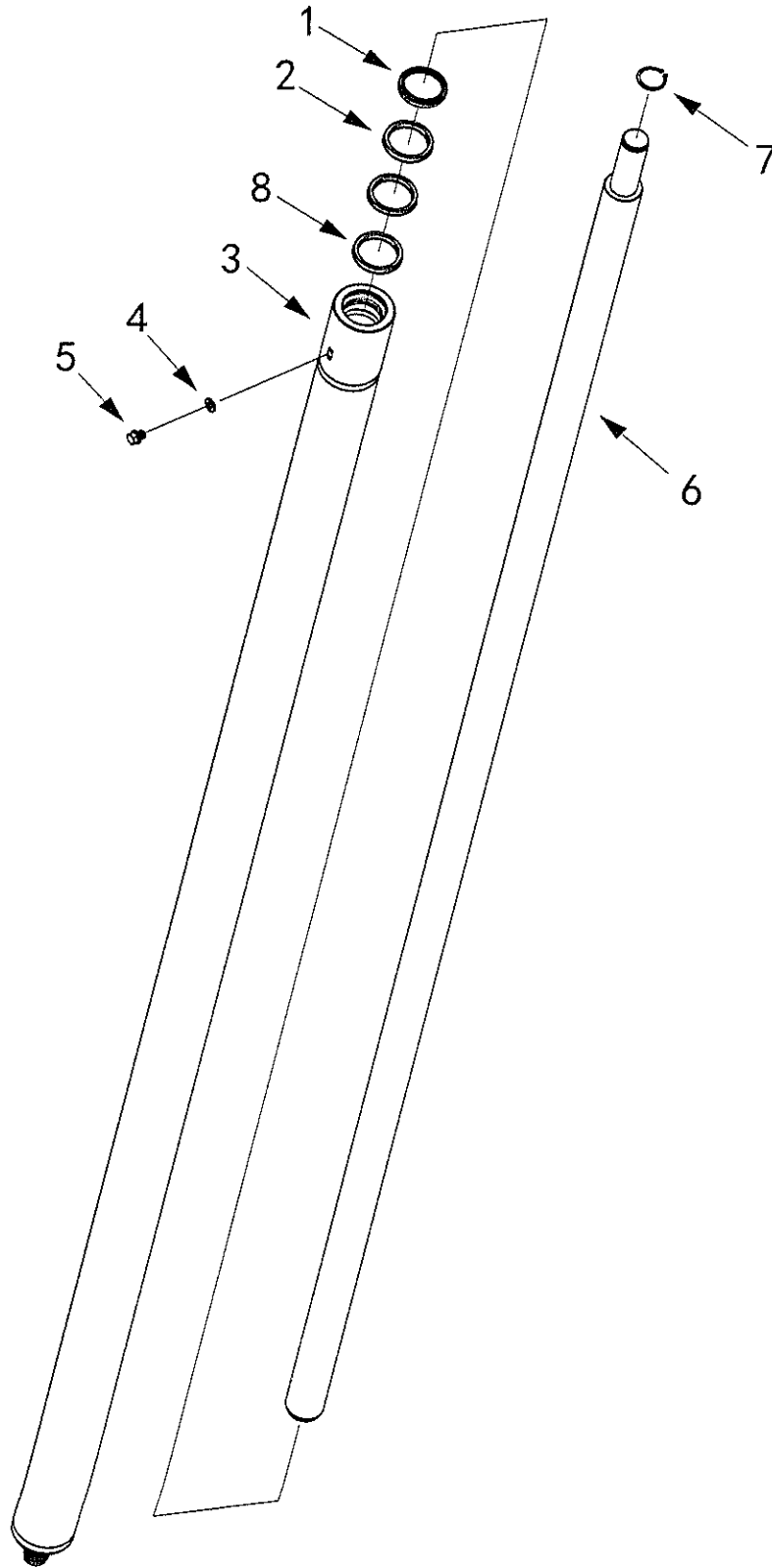


Fig. 21 Mast assy-middle

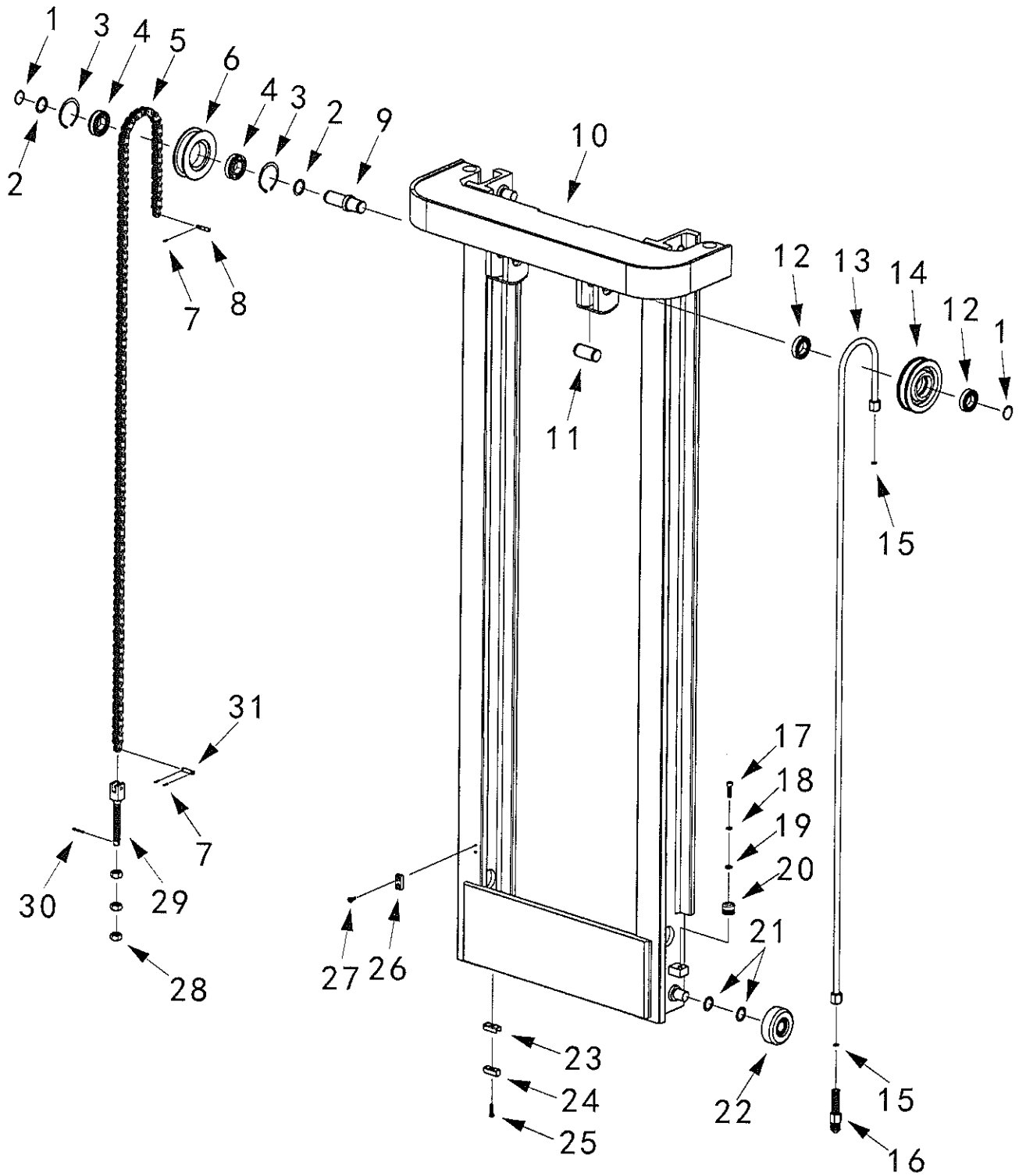


Fig. 22 Mast assy-inner

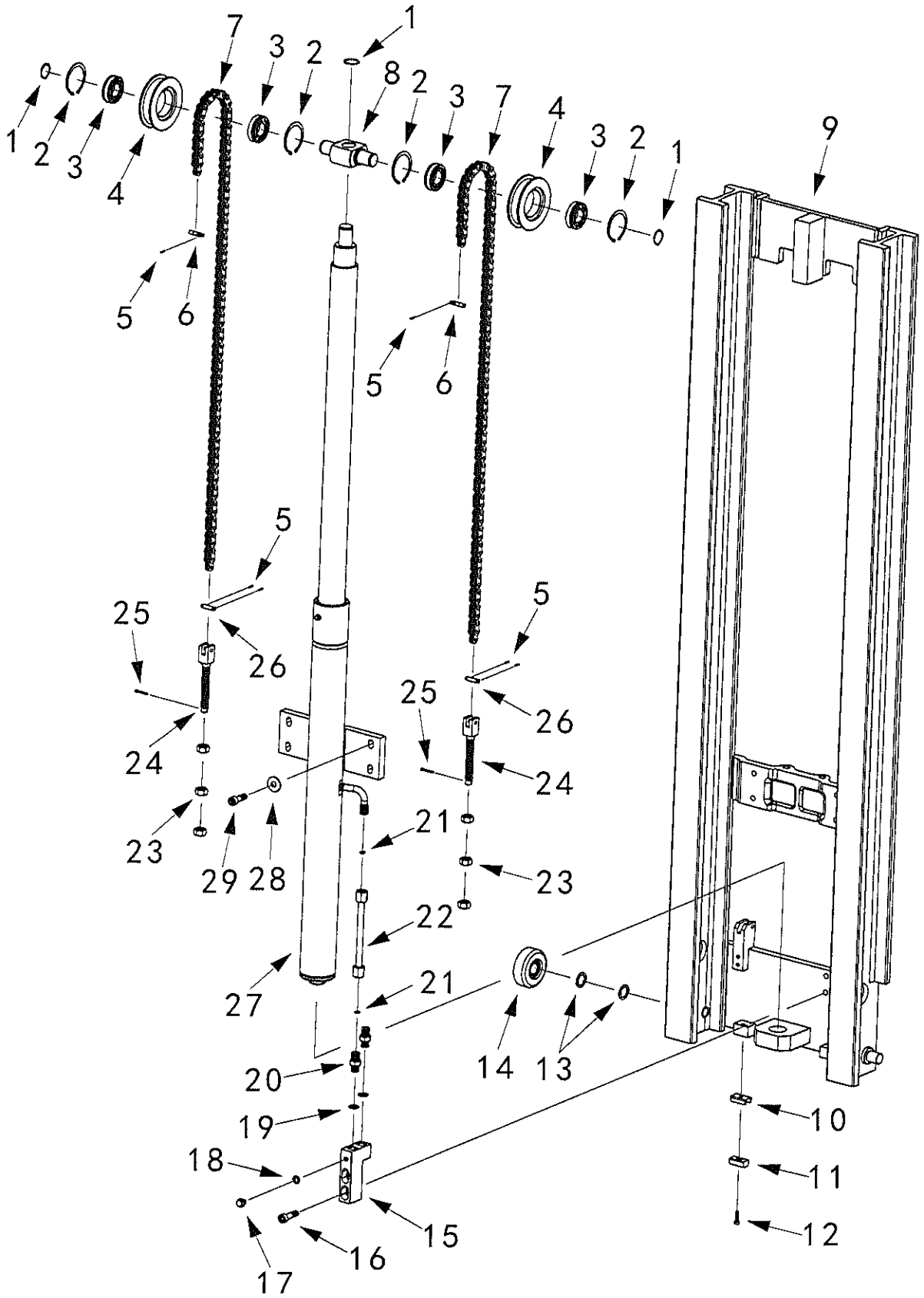


Fig. 23 Middle cylinder assembly

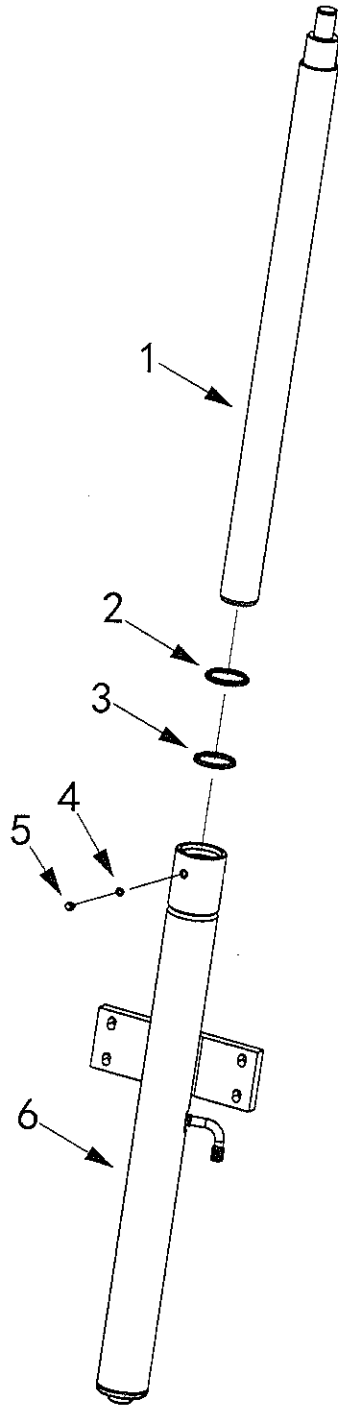


Fig. 24 Fork & Carriage & Backrest

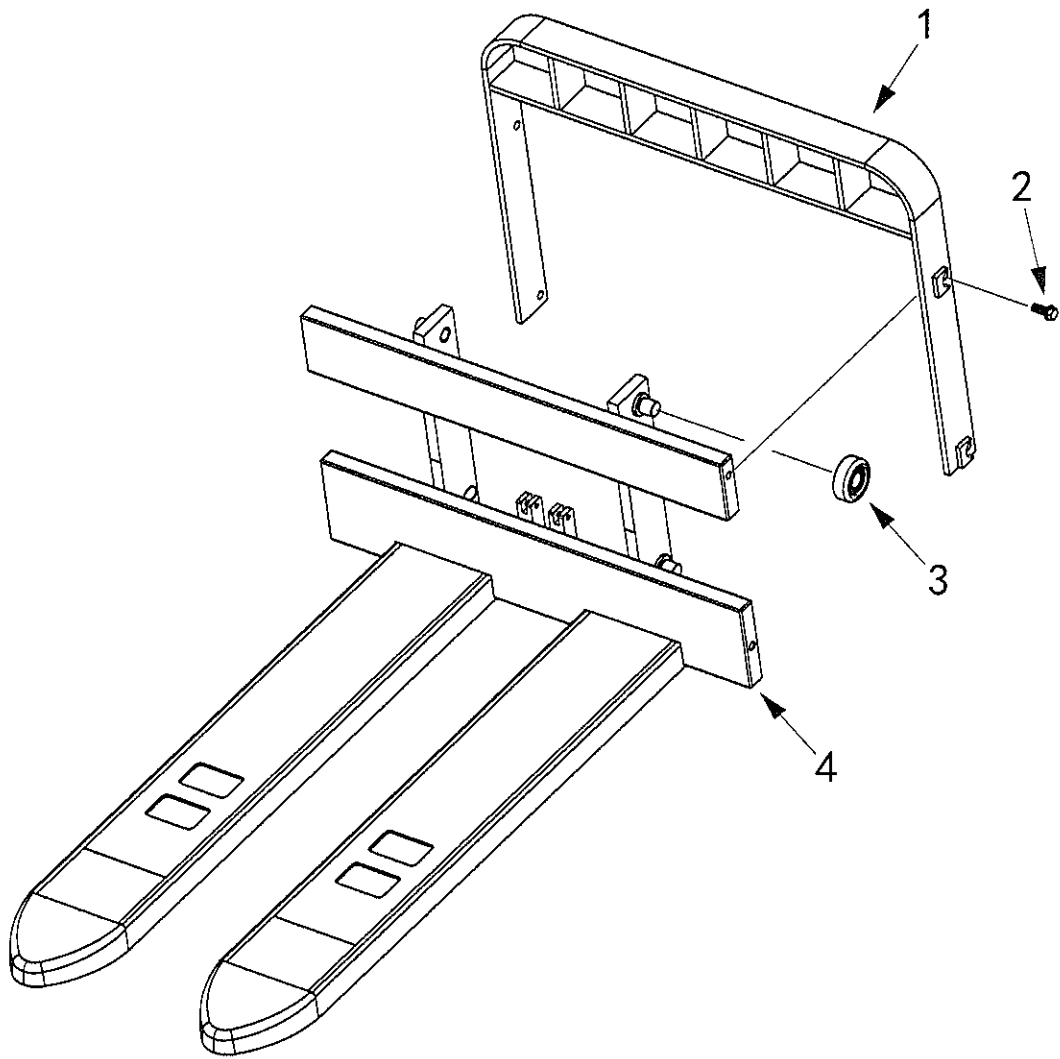


Fig. 25 Compartment (For footboard)

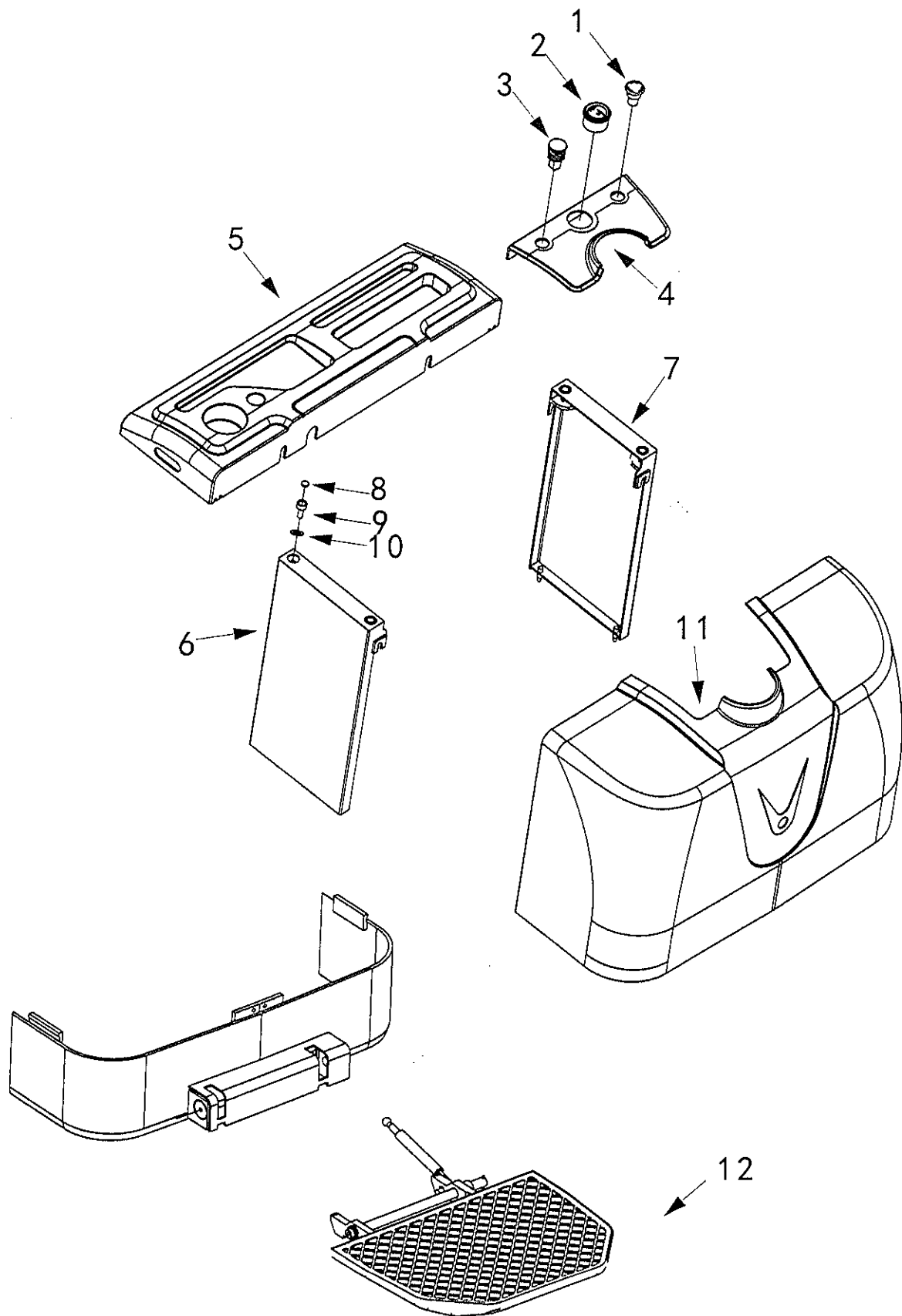




Fig. 26 Battery assembly

